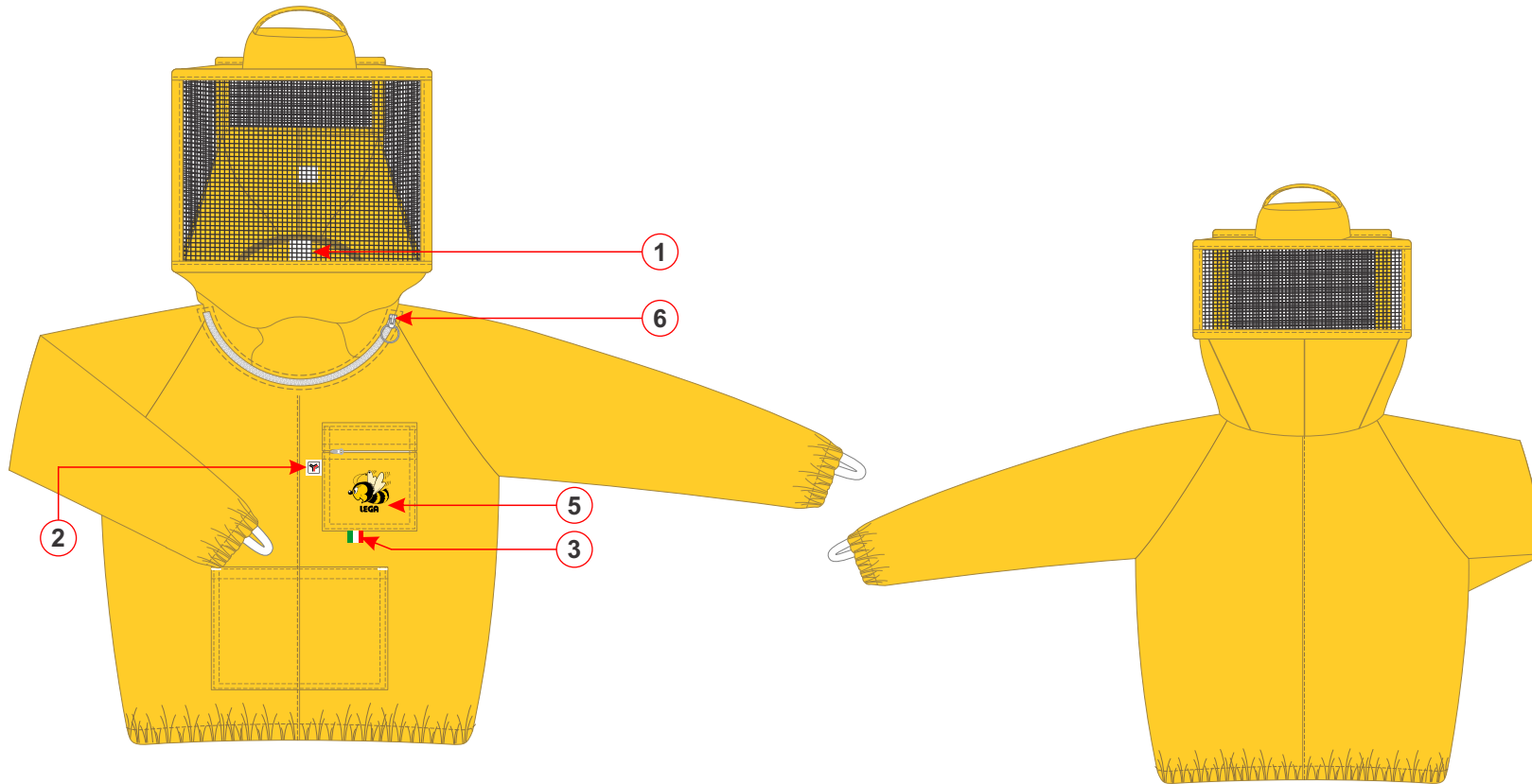


LEGA APISTICHE

ARTICLE NO: 3610 Size XL

ARTICLE NAME: Square Veil Jacket

DRAWING ARTWORK



VEIL RANGE

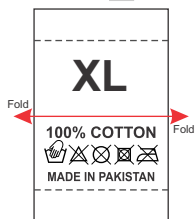
Fencing Veil

1

Printed Label For Neck

Size: 2.50 x 4.00 cm

■ 100% Black □ 100% White



2

Labels on Front Pocket

Size: 2.00 x 2.00 cm

■ 100% Black □ 100% White
■ PMS 1788 C



3

Woven Label

Size: 4.50 x 1.60 cm

■ 100% Red □ 100% White
■ PMS 362 C

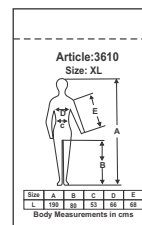


4

Body Size Printed Label

Size: 2.50 x 4.00 cm

■ 100% Black □ 100% White



Stitched inside the Back Center Seam

5

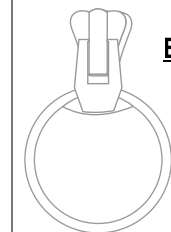
Pocket Embroidery

Size: 5.90 x 5.80 cm

■ 100% Black □ 100% White
■ PMS 123 C

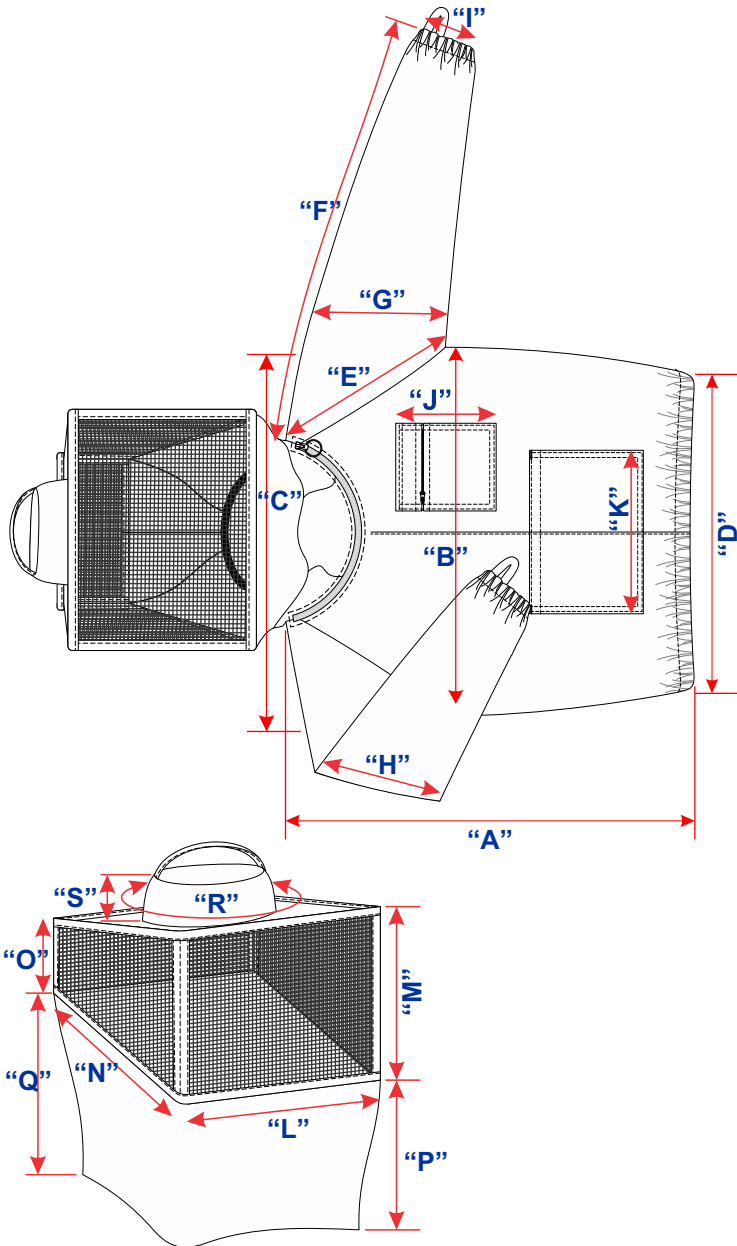


6



**ENLARGE VIEW
RING SLIDER**

DIMENSION MARKING



MEASUREMENT

	PANEL NAME	3620/ S / M	3610/ L/XL	3615/3XL			TOLERANCE
A	Body Length	75	80	95			+/- 1.00 CM
B	Chest 1 inch Blow Arm Pit	64	70	76			+/- 1.00 CM
C	Across Shoulder	47	56	59			+/- 1.00 CM
D	Waist Hemming Stretched	59	68	71			+/- 1.00 CM
	Relaxed Hemming	36	42	44			+/- 1.00 CM
E	Arm Hole Straight	30	34	38			+/- 1.00 CM
F	Sleeve Length	62	68	74			+/- 1.00 CM
G	Bicep 1/2	23	26	27			+/- 1.00 CM
H	Elbow 1/2	22	25	26			+/- 1.00 CM
I	Cuff Opening Rib 1/2	9	12	13			+/- 1.00 CM
J	Chest Pocket Length x Width	18	18	18			+/- 1.00 CM
K	Bottom Pocket Length x Width	20	20	20			+/- 1.00 CM
★	Neck Zip	43	43	43			+/- 1.00 CM
L	Veil Front Hight	29	29	29			+/- 1.00 CM
M	Veil Front Width	23	23	23			+/- 1.00 CM
N	Veil Side Width	30	30	30			+/- 1.00 CM
O	Veil Back Hight	11	11	11			+/- 1.00 CM
P	Veil Front Fabric Drop	21	21	21			+/- 1.00 CM
Q	Veil Back Fabric Drop	18	18	18			+/- 1.00 CM
R	Hat Length x Round	52	52	52			+/- 1.00 CM
S	Hat Hight	10	10	10			+/- 1.00 CM

All sizes are in centimeters except marked

CAUTION: All size of garments must be within tolerance limit.

